

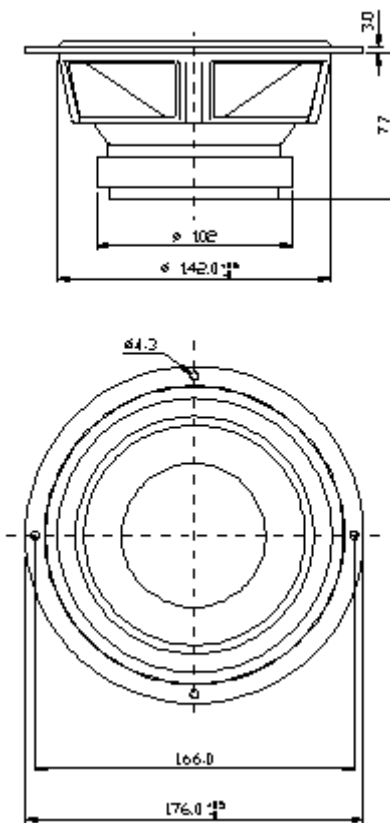
[print](#) [close](#)

Peerless Data Sheet

CSX 176 H

176 WR 33 102 SD AL 8 ohm - Order ID: 850122

6½" high-end woofer with heavy magnet and large voice coil. All-around bass reflex driver suitable for a wide range of box sizes (8-50 ltrs.). The speaker impresses with a very deep and dry bass, and a crisp and clear midrange with very low distortion.



CSX 176 H**Thiele Small parameters:**

Nominal impedance	Zn	(ohm)
Minimum impedance/at freq.	Zmin	(ohm/Hz)
Maximum impedance	Zo	(ohm)
DC resistance	Re	(ohm)
Voice coil inductance	Le	(mH)
Capacitor in series with 8 ohm (for impedance compensation)	Cc	(µF)
Resonance Frequency	fs	(Hz)
Mechanical Q factor	Qms	
Electrical Q factor	Qes	
Total Q factor	Qts	
F (Ratio fs/Qts)	F	(Hz)
Mechanical resistance	Rms	(Kg/s)
Moving mass	Mms	(g)
Suspension compliance	Cms	(mm/N)
Effective cone diameter	D	(cm)
Effective piston area	Sd	(cm ²)
Equivalent volume	VAS	(ltrs)
Force factor	Bl	(N/A)
Reference voltage sensitivity Re 2.83V 1m at 230 Hz (Measured)		(dB)

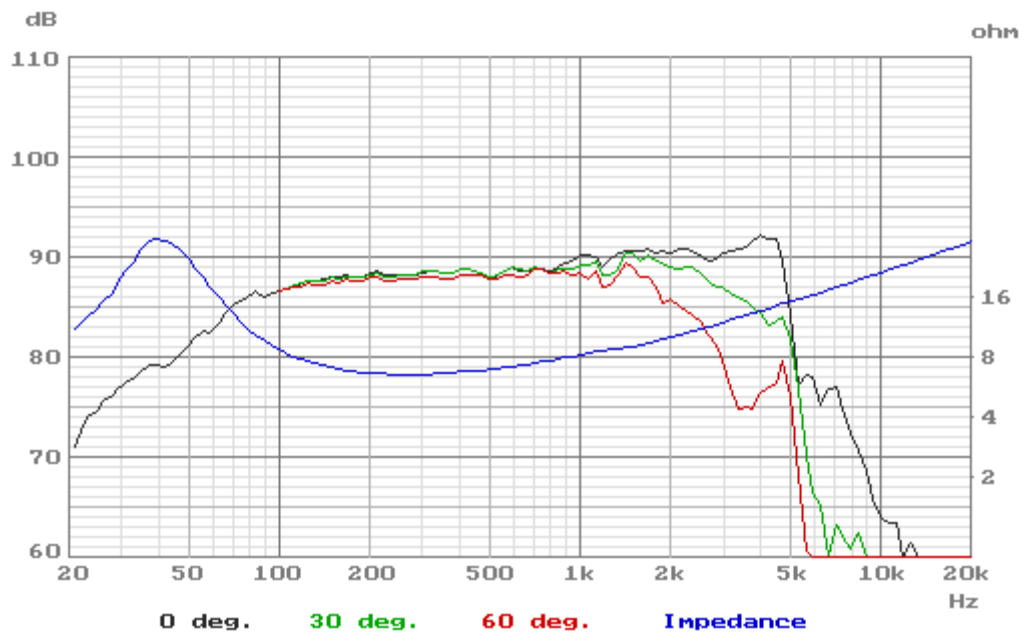
	Free air	Common	Baffled
		8	
		6.5/230	
		31.7	
		6.1	
		1.3	
		9	
	38.0		36.8
	2.22		2.29
	0.53		0.55
	0.43		0.44
			83
	17.8	1.92	19.0
		0.99	
		13.5	
		143	
		27.7	
		7.0	
			86.5

Magnet and voice coil parameters:

Voice coil diameter	d	(mm)	33
Voice coil length	h	(mm)	17
Voice coil layers	n		2
Flux density in gap	B	(T)	1.08
Total useful flux		(mWb)	0.94
Height of the gap	hg	(mm)	6
Diameter of magnet	dm	(mm)	102
Height of magnet	hm	(mm)	16
Weight of magnet		(kg)	0.54

Power handling:

Long term Max System Power (IEC)	(W)	150
----------------------------------	-----	-----



Measuring methods and conditions are stated in Peerless Standard for Acoustic Measurements (PSAM)