

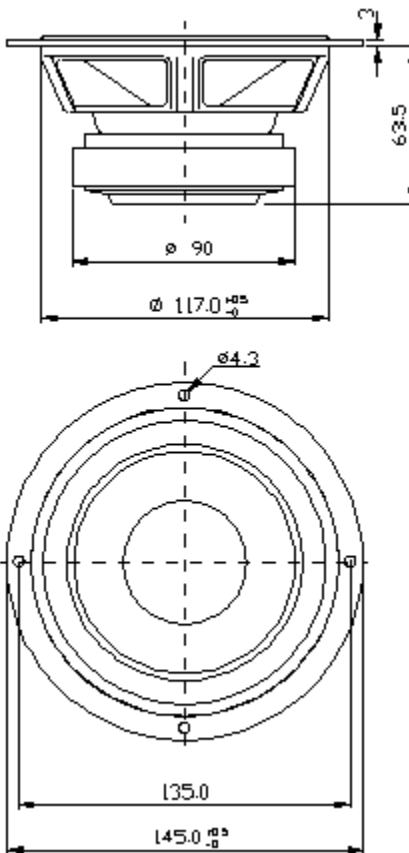
[print](#) [close](#)

Peerless Data Sheet

CSX 145 H

145 WR 26 90 SD AL 8 ohm - Order ID: 850108

5" high-end woofer with long voice coil and extra heavy magnet. Optimised for small reflex constructions where long linearity gives an extraordinary bass performance with very low distortion.



CSX 145 H**Thiele Small parameters:**

Nominal impedance	Zn	(ohm)
Minimum impedance/at freq.	Zmin	(ohm/Hz)
Maximum impedance	Zo	(ohm)
DC resistance	Re	(ohm)
Voice coil inductance	Le	(mH)
Capacitor in series with 8 ohm (for impedance compensation)	Cc	(μF)
Resonance Frequency	fs	(Hz)
Mechanical Q factor	Qms	
Electrical Q factor	Qes	
Total Q factor	Qts	
F (Ratio fs/Qts)	F	(Hz)
Mechanical resistance	Rms	(Kg/s)
Moving mass	Mms	(g)
Suspension compliance	Cms	(mm/N)
Effective cone diameter	D	(cm)
Effective piston area	Sd	(cm ²)
Equivalent volume	VAS	(ltrs)
Force factor	Bl	(N/A)
Reference voltage sensitivity Re 2.83V 1m at 345 Hz (Measured)		(dB)

	Free air	Common	Baffled
		8	
		6.6/345	
		31.9	
		6.1	
		0.9	
		7	
	48.0		47.1
	1.78		1.82
	0.42		0.43
	0.34		0.35
			136
	10.0	1.70	10.4
		1.09	
		10.8	
		91	
		12.5	
		6.6	
			87.5

Magnet and voice coil parameters:

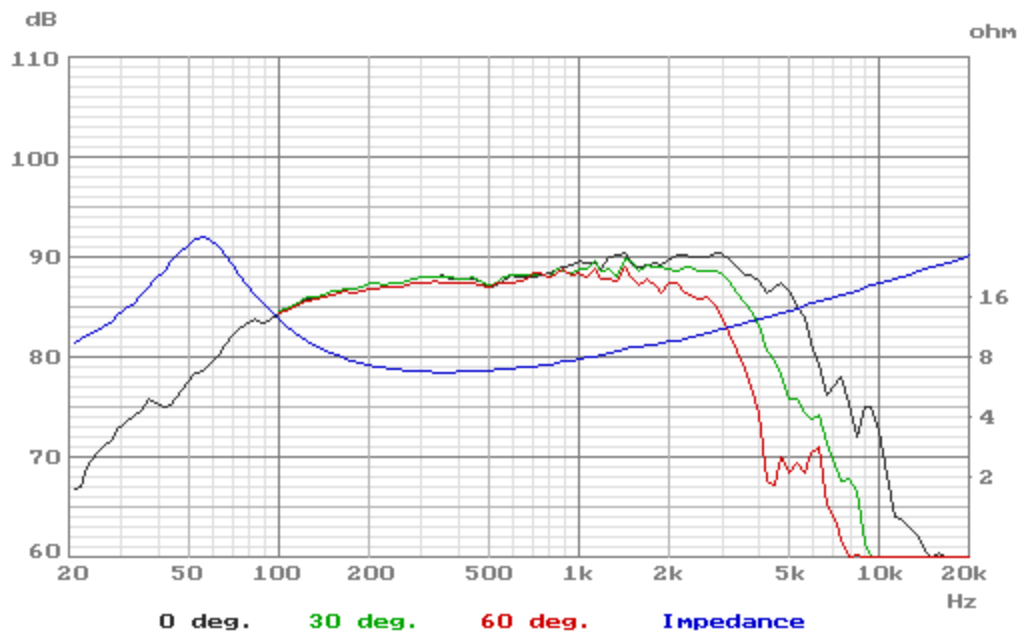
Voice coil diameter	d	(mm)
Voice coil length	h	(mm)
Voice coil layers	n	
Flux density in gap	B	(T)
Total useful flux		(mWb)
Height of the gap	hg	(mm)
Diameter of magnet	dm	(mm)
Height of magnet	hm	(mm)
Weight of magnet		(kg)

26
15
2
1.17
0.81
6
90
15
0.4

Power handling:

Long term Max System Power (IEC)	(W)
----------------------------------	-----

110



Measuring methods and conditions are stated in Peerless Standard for Acoustic Measurements (PSAM)